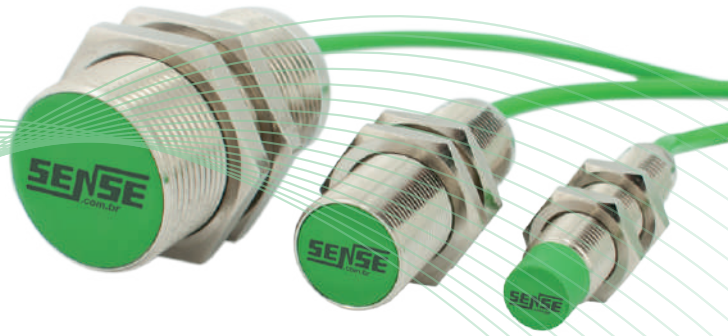




FACTORY AUTOMATION INDUCTIVE PROXIMITY SENSORS STANDARD LINE

INDUCTIVE PROXIMITY SENSOR - STANDARD LINE

- Internationally standardized IEC
- Reduced dimensions, assembled with SMD components
- Direct and alternating current models
- Models with back light
- Degree of protection IP67 / IP69K
- Application in explosive dust atmospheres



Sensing

PS 15

1 2

Housing

30 GI 50

1 2 3

Output

A2 - 6

1 2

Area

Ex

1

Sensing

1 - Model	2 - Sensing Distance (mm)
PS - Proximity inductive sensor	1; 1,5; 2; 4; 5; 8; 10 and 15 = Sn

Housing

1 - Tube Diameter	2 - Tube Type	3 - Tube Length (mm)
6,5 - Smooth Ø6,5 mm	- - Smooth metallic	30, 45 - Ø6,5 , Ø8, M8 (E and E2)
8 - Smooth Ø8 mm	GI - Nickel plated brass, threaded, back light	50 - M12, M18, M30 (standard)
8, 12, 18, 30 - M8, M12, M18, M30	GM - Nickel plated brass, threaded, side led	60, 70 - M12, M18 and M30 (long)
	GP - Thermoplastic with fiberglass, threaded	
	GX - Stainless steel, threaded	
	GT - PTFE plated brass, threaded	

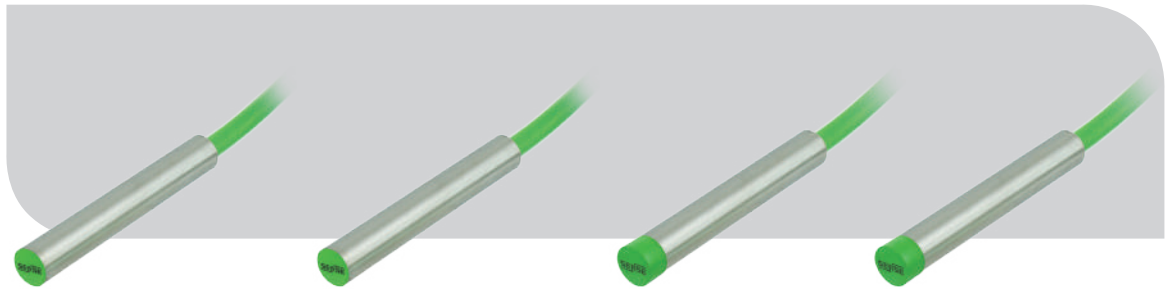
Output

1 - Electrical Configuration	2 - Connection	1 - Area
N4 - Direct current, 2 wires, NO	- - Cable PVC 2 m (standard)	- - Use in unclassified areas
N5 - Direct current, 2 wires, NC	6 - Cable PVC 6 m	Ex - Classified area certification
E - Direct current, 3 wires, NPN, NO	10 - Cable PVC 10 m	
A - Direct current, 4 wires, NPN, NO+NC	15 - Cable PVC 15 m	
E2 - Direct current, 3 wires, PNP, NO	20 - Cable PVC 20 m	
A2 - Direct current, 4 wires, PNP, NO+NC	25 - Cable PVC 25 m	
UA - Direct or alternate current, 2 wires, NO	PU - Cable polyurethane 2 m	
UF - Direct or alternate current, 2 wires, NC	V8 - Connector M8 male 3 pins	
UZA - Direct or alternate current, 2 wires, NO, with short circuit protection	V1 - Connector M12 male 4 pins	
UZF - Direct or alternate current, 2 wires, NC, with short circuit protection		
WA - Alternate current, 2 wires, NO		
WF - Alternate current, 2 wires, NC		
W3A - Alternate current, 3 wires, + GND, NO		
W3F - Alternate current, 3 wires, + GND, NC		

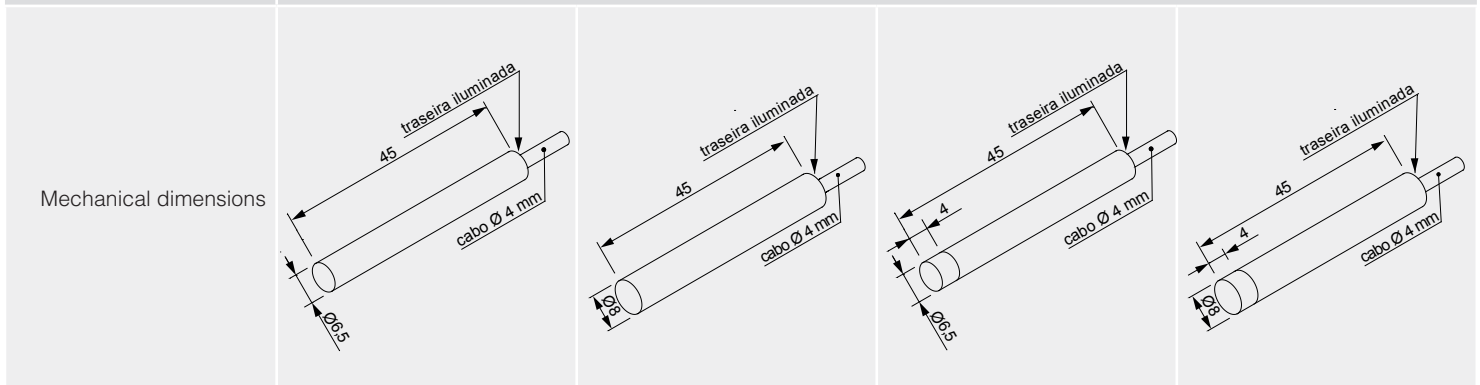
NOTE: Not all key codes combinations are possible.

PS

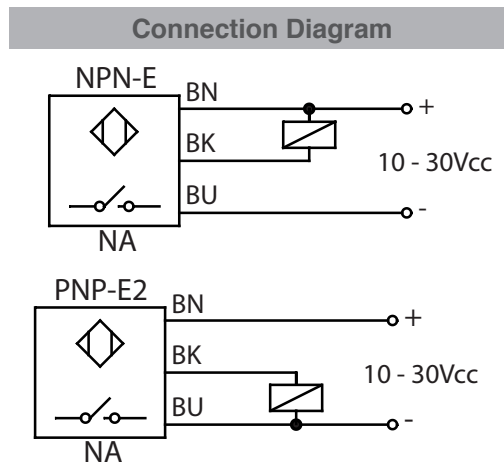
- Direct current
- PNP / NPN
- NO outputs
- Cable



NO- NPN	PS1,5-6,5-45-E-Ex	PS1,5-8-45-E-Ex	PS2-6,5-45-E-Ex	PS2-8-45-E-Ex
NO - PNP	PS1,5-6,5-45-E2-Ex	PS1,5-8-45-E2-Ex	PS2-6,5-45-E2-Ex	PS2-8-45-E2-Ex
Sensing distance	1,5 mm		2 mm	
Operating dist.	1,21 mm		1,62 mm	
Mounting	flush		non flush	
Standard target	8 x 8 mm			
Max. switching frequency	1 kHz		600 Hz	
Output signaling	illuminated rear			
Connection	cable 2 m PVC 3 wires 0,16 mm ² (standard)			
Weight	50 g			



Common Technical Features	
Hysteresis	5%
Repeatability	< 0,01 mm
Power supply	10 to 30 Vcc
Ripple	± 10 %
Max. switching current	100 mA
Consumption current	≤ 10 mA
Output voltage drop	≤ 2 V
Output protection	short-circuit and reversal polarity
Operating temperature	- 25 °C to + 70 °C
Protection degree	IP66, IP67, IP68, IP69K
Cable options	check key code
Housing material	nickel plated brass
Tube length	standard 45, optional 30 and 60 mm
Ex certificate - dust	Cepel 16.2415X
Marking	Ex tb IIIC T100 °C Db IP65



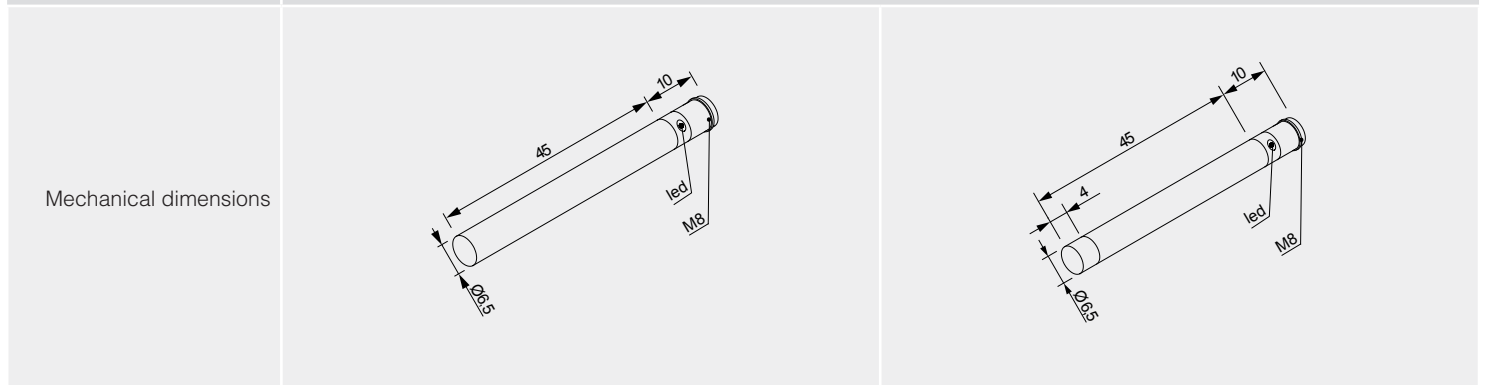
Cable Colors
BN - brown / positive
BK - black / charge
BU - blue / negative

PS

- Direct current
- PNP / NPN
- NO outputs
- Connector



NO - NPN	PS1,5-6,5-45-E-V8	PS2-6,5-45-E-V8
NO - PNP	PS1,5-6,5-45-E2-V8	PS2-6,5-45-E2-V8
Sensing distance	1,5 mm	2 mm
Operating dist.	1,21 mm	1,62 mm
Mounting	flush	non flush
Standard target	8 x 8 mm	
Max. switching frequency	1 kHz	600 Hz
Output signaling	4 microleds in connector	
Connection	connector 3 pins	
Weight	15 g	



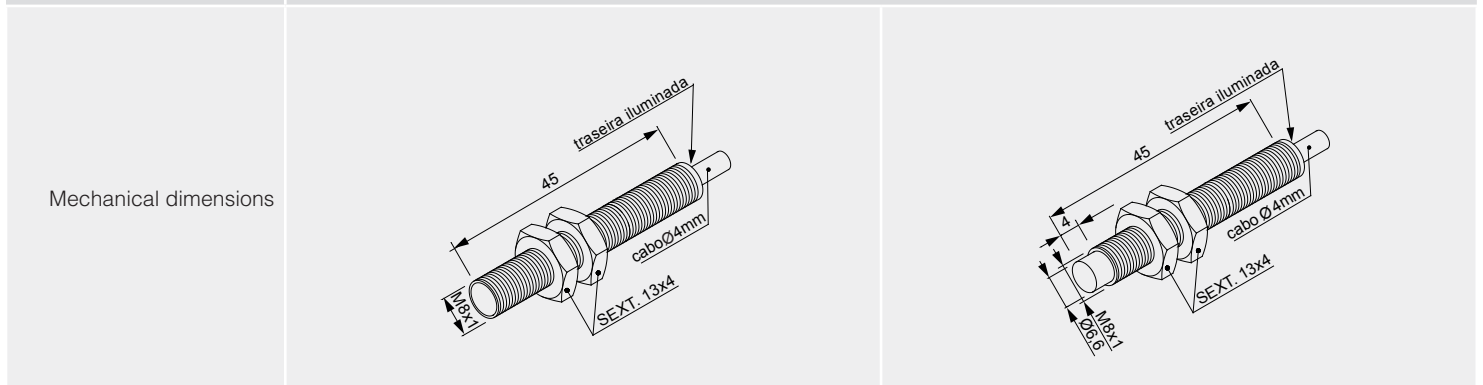
Common Technical Features		Connection Diagram	Connector V8 / M8
Hysteresis	5%	<p>NPN-E</p> <p>PNP-E2</p>	
Repeatability	< 0,01 mm		
Power supply	10 to 30 Vcc		
Ripple	± 10%		
Max. switching current	100 mA		
Consumption current	≤ 10 mA		
Output voltage drop	≤ 2 V		
Output protection	short-circuit and reversal polarity		
Operating temperature	- 25 °C to + 70°C		
Protection degree	IP66, IP67, IP68, IP69K		
Housing material	nickel plated brass		
Tube length	standard 45, optional 30 and 60 mm		

PS

- Direct current
- PNP / NPN
- NO outputs
- Cable



NO - NPN	PS1,5-8GI45-E-Ex	PS2-8GI45-E-Ex
NO - PNP	PS1,5-8GI45-E2-Ex	PS2-8GI45-E2-Ex
Sensing distance	1,5 mm	2 mm
Operating dist.	1,21 mm	1,62 mm
Mounting	flush	non flush
Standard target	8 x 8 mm	
Max. switching frequency	1 kHz	600 Hz
Output signaling	iluminated rear	
Connection	cable 2 m PVC 3 wires 0,16 mm ² (standard)	
Weight	55 g	



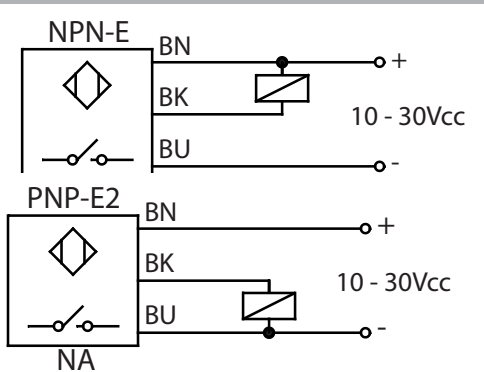
Common Technical Features

Hysteresis	5%
Repeatability	< 0,01 mm
Power supply	10 to 30 Vcc
Ripple	± 10%
Max. switching current	100 mA
Consumption current	≤ 10 mA
Output voltage drop	≤ 2 V
Output Protection	short-circuit and reversal polarity
Operating temperature	- 25 °C to + 70°C
Protection degree	IP66, IP67, IP68, IP69K
Cable options	check key code
Ex certificate - dust	Cepel 16.2415X
Marking	Ex tb IIIC T100 °C Db IP65

Cable Colors

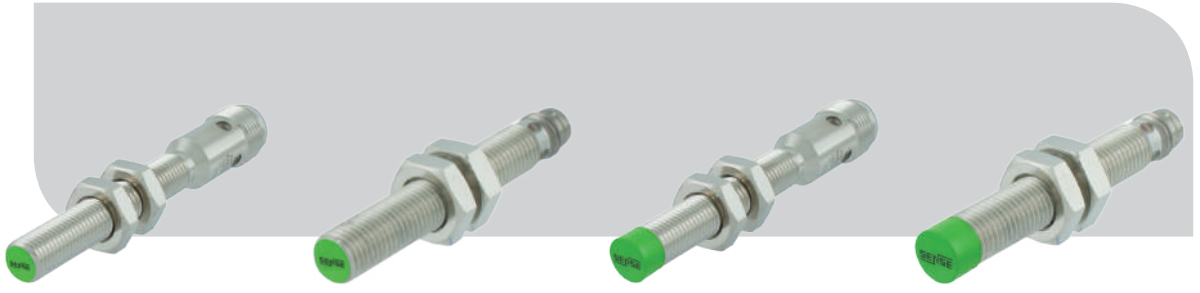
- BN - brown / positive
- BK - black / charge
- BU - blue / negative

Connection Diagram



PS

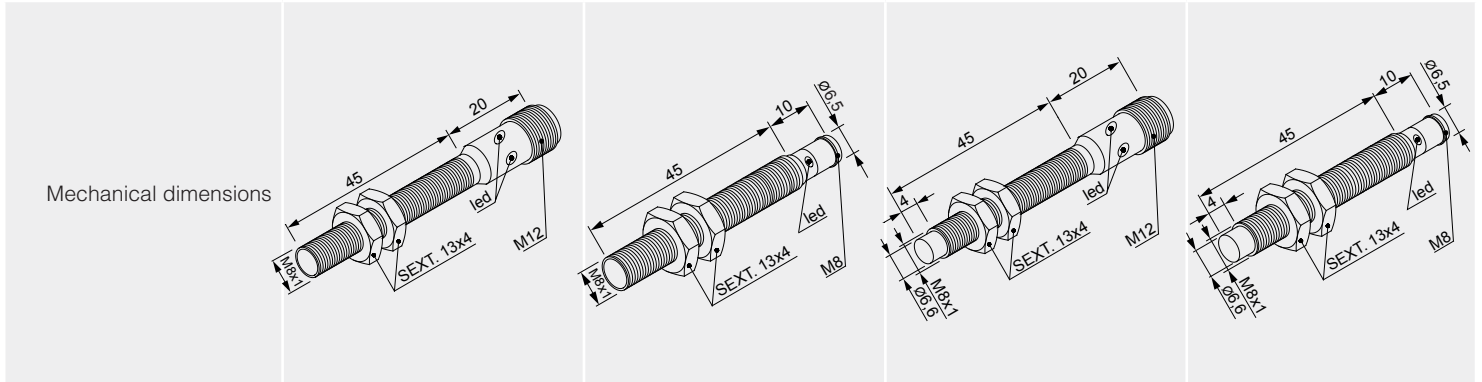
- Direct current
- PNP / NPN
- NO outputs
- Connector



NO - NPN	PS1,5-8GI45-E-V1-Ex	PS1,5-8GM45-E-V8	PS2-8GI45-E-V1-Ex	PS2-8GM45-E-V8
NO- PNP	PS1,5-8GI45-E2-V1-Ex	PS1,5-8GM45-E2-V8	PS2-8GI45-E2-V1-Ex	PS2-8GM45-E2-V8

Sensing distance	1,5 mm		2 mm	
Operating dist.	1,21 mm		1,62 mm	
Mounting	flush		non flush	
Standard target	8 x 8 mm			
Max. switching frequency	1 kHz		600 Hz	
Output signaling	4 microleds in connector			

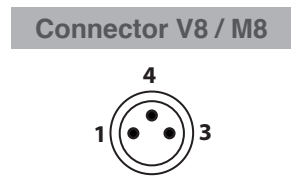
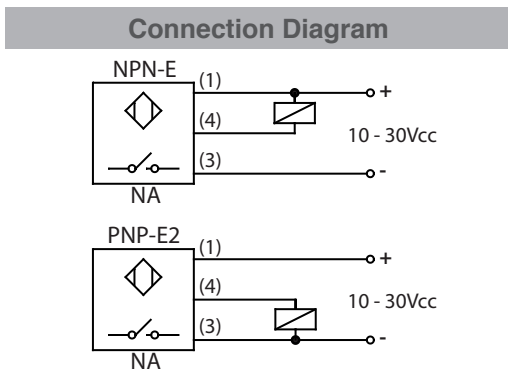
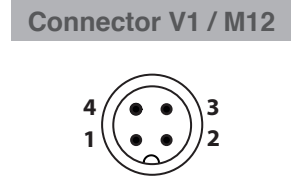
Connection	connector 4 pins	connector 3 pins	connector 4 pins	connector 3 pins
Weight	20 g	15 g	20 g	15 g



Common Technical Features	
Hysteresis	5%
Repeatability	< 0,01 mm
Power supply	10 to 30 Vcc
Ripple	± 10%
Max. switching current	100 mA
Consumption current	≤ 10 mA
Output voltage drop	≤ 2 V
Output protection	short-circuit and reversal polarity
Operating temperature	- 25 °C to + 70°C
Protection degree	IP66, IP67, IP68, IP69K
Ex certificate - dust	Cepel 16.2415X
Marking	Ex tb IIIC T100 °C Db IP65

Obs: Certificate not valid for sensors with V8 / M8 connectors

Housing	
GI	Nickel plated brass
GM	Nickel plated brass
GX	Stainless steel
45	45 mm tube (standard)
60	60 mm tube (optional)



PS

- Direct current
- PNP / NPN
- NO outputs
- Cable or connector



	PS2F-8GM45-E	PS2F-8GM45-E-V8
NO - NPN		
NO - PNP	PS2F-8GM45-E2	PS2F-8GM45-E2-V8
Sensing distance	2 mm	
Operating dist.	1,62 mm	
Mounting	flush	
Standard target	8 x 8 mm	
Max. switching frequency	600 kHz	
Signaling	iluminated rear	4 microleds in connector
Connection	cable 2 m PVC 3 wires (standard)	connector M8 - 3 pins
Weight	55 g	15 g

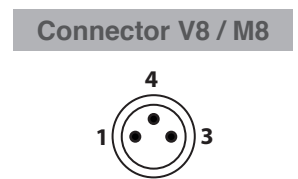
Mechanical dimensions		

Common Technical Features	
Hysteresis	5%
Repeatability	< 0,01 mm
Power supply	10 to 30 Vcc
Ripple	10%
Max. switching current	200 mA
Consumption current	< 10 mA
Output voltage drop	≤ 2
Output protection	short-circuit and reversal polarity
Operating temperature	- 25 °C to + 70 °C
Protection degree	IP67, IP69K
Cable options	check code key
Ex certificate - dust	Cepel 16.2415X

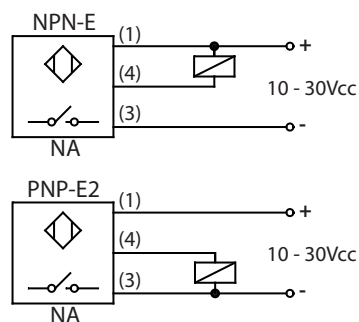
Marking Ex tb IIIC T100 °C Db IP65

Obs: Certificate not valid for sensors with V8 / M8 connectors

Housing	
GI	Nickel plated brass
GM	Nickel plated brass
GX	Stainless steel
GT	PTFE plated brass
45	45 mm tube (standard)



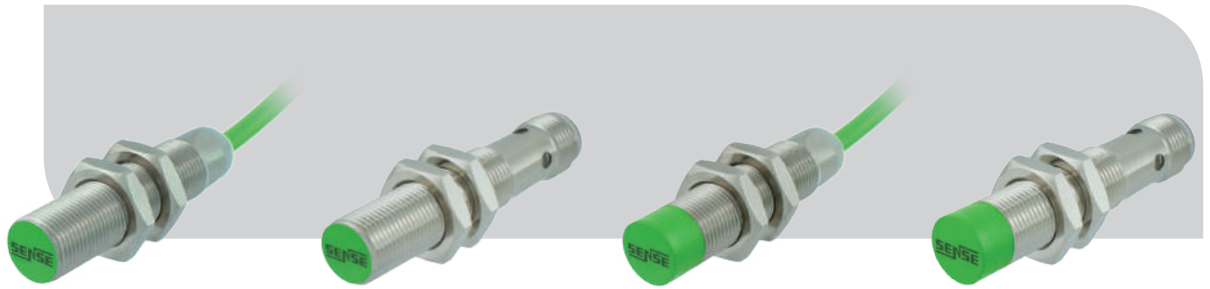
Connection Diagram



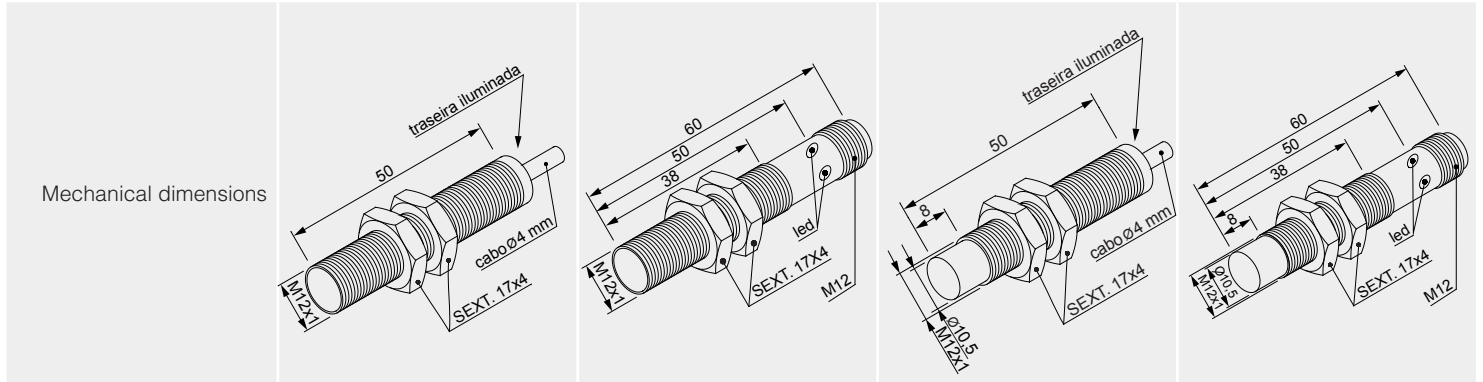
Cable Colors
BN - brown
BU - blue
BK - black

PS

- Direct current
- PNP / NPN
- NO outputs
- Cable or connector



NO - NPN	PS2-12GI50-E-Ex	PS2-12GI50-E-V1-Ex	PS4-12GI50-E-Ex	PS4-12GI50-E-V1-Ex
NO - PNP	PS2-12GI50-E2-Ex	PS2-12GI50-E2-V1-Ex	PS4-12GI50-E2-Ex	PS4-12GI50-E2-V1-Ex
Sensing distance	2 mm		4 mm	
Operating dist.	1,62 mm		3,24 mm	
Mounting	flush		non flush	
Standard target	12 x 12 mm			
Max. switching frequency	800 Hz		400 Hz	
Output signaling	iluminated rear	4 microleds in connector	iluminated rear	4 microleds in connector
Connection	cable 2 m PVC 3 wires	connector 4 pins	cable 2 m PVC 3 wires	connector 4 pins
Weight	110 g	25 g	110 g	25 g

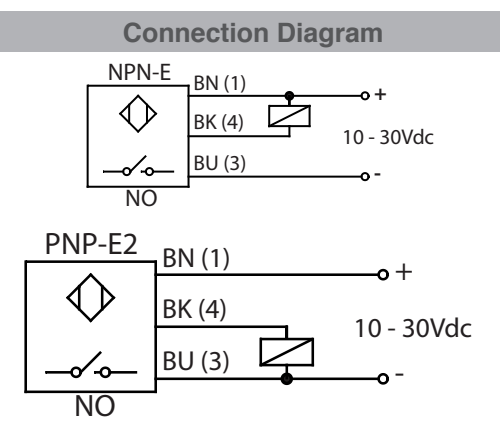
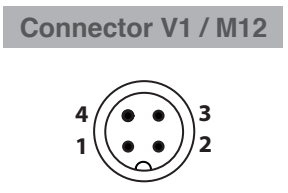


Common Technical Features

Hysteresis	5%
Repeatability	< 0,01 mm
Power supply	10 to 30 Vcc
Ripple	± 10%
Max. switching current	200 mA
Consumption current	≤ 10 mA
Output voltage drop	≤ 2
Output protection	short-circuit and reversal polarity
Operating temperature	- 25 °C a + 70 °C
Protection degree	IP66, IP67, IP68, IP69K
Cable options	check key code
Ex certificate - dust	Cepel 16.2415X
Marking	Ex tb IIIC T100 °C Db IP65

Housing

GI	Nickel plated brass
GX	Stainless steel
GT	PTFE plated brass
GP	Thermoplastic with fiberglass
50	50 mm tube (standard)
70	70 mm tube (optional)



Cable Colors

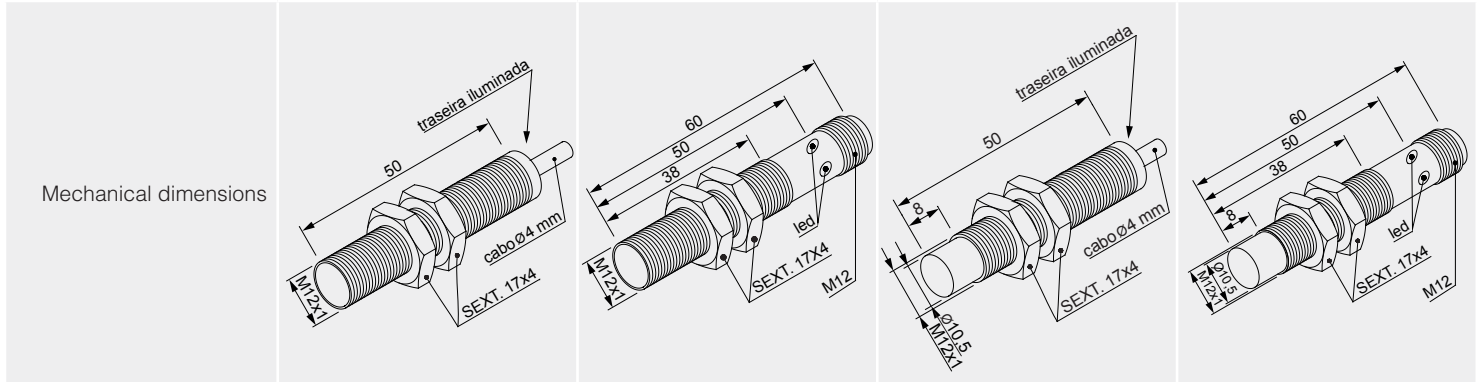
BN	- brown / positive
BK	- black / charge
BU	- blue / negative

PS

- Direct current
- PNP / NPN
- NO + NC outputs
- Cable or connector



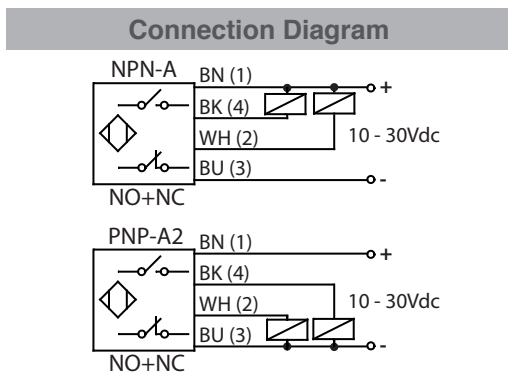
NO + NC - NPN	PS2-12GI50-A-Ex	PS2-12GI50-A-V1-Ex	PS4-12GI50-A-Ex	PS4-12GI50-A-V1-Ex
NO + NC - PNP	PS2-12GI50-A2-Ex	PS2-12GI50-A2-V1-Ex	PS4-12GI50-A2-Ex	PS4-12GI50-A2-V1-Ex
Sensing Distance	2 mm		4 mm	
Operating dist.	1,62 mm		3,24 mm	
Mounting	flush		non flush	
Standard target	12 x 12 mm			
Max. switching frequency	800 Hz		400 Hz	
Output signaling	iluminated rear	4 microled in connector	iluminated rear	4 microled in connector
Connection	cable 2 m PVC 4 wires	connector 4 pins	cable 2 m PVC 4 wires	connector 4 pins
Weight	110 g	25 g	110 g	25 g



Common Technical Features	
Hysteresis	5%
Repeatability	< 0,01 mm
Power supply	10 to 30 Vcc
Ripple	± 10%
Max. switching current	200 mA
Consumption current	≤ 10 mA
Output voltage drop	≤ 2
Output protection	short-circuit and reversal polarity
Operating temperature	- 25 °C to + 70 °C
Protection degree	IP66, IP67, IP68, IP69K
Cable options	check key code
Ex certificate - dust	Cepel 16.2415X
Marking	Ex tb IIIC T100 °C Db IP65

Housing	
GI	Nickel plated brass
GX	Stainless steel
GT	PTFE plated brass
GP	Thermoplastic with fiberglass
50	50 mm tube (standard)
70	70 mm tube (optional)

Connector V1 / M12



Cable Colors

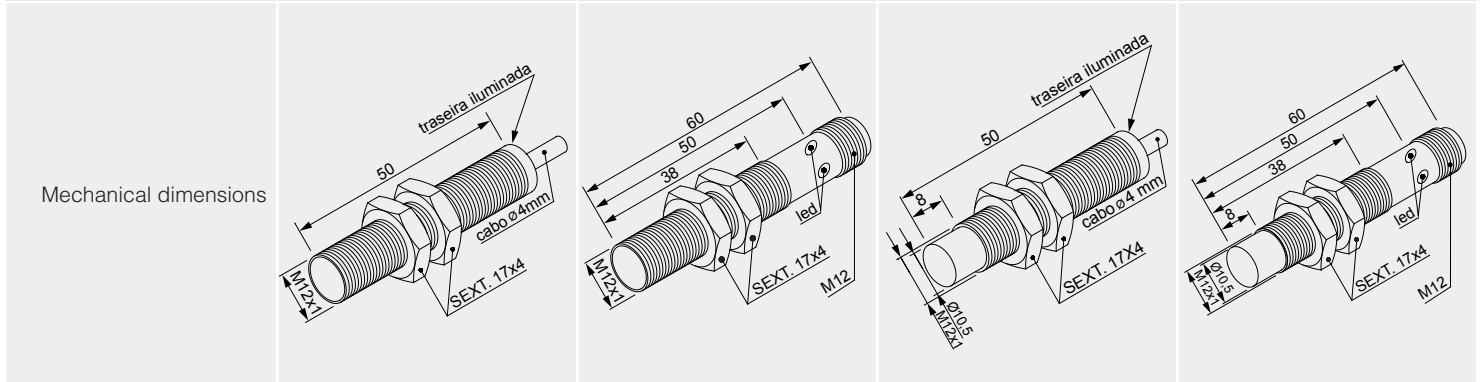
BN	- brown / positive
BK	- black / charge
BU	- blue / negative
WH	- white / charge

PS

- Direct current
- NO or NC outputs
- Cable or connector



	NO	PS2-12GI50-N4-Ex	PS2-12GI50-N4-V1-Ex	PS4-12GI50-N4-Ex	PS4-12GI50-N4-V1-Ex
	NC	PS2-12GI50-N5-Ex	PS2-12GI50-N5-V1-Ex	PS4-12GI50-N5-Ex	PS4-12GI50-N5-V1-Ex
Sensing distance		2 mm		4 mm	
Operating dist.		1,62 mm		3,24 mm	
Mounting		flush		non flush	
Standard target		12 x 12 mm			
Max. switching frequency		500 Hz		300 Hz	
Output signaling		iluminated rear	4 microled in connector	iluminated rear	4 microled in connector
Connection		cable 2 m PVC 2 wires	connector 4 pins	cable 2 m PVC 2 wires	conector 4 pinos
Weight		110 g	25 g	110 g	25 g

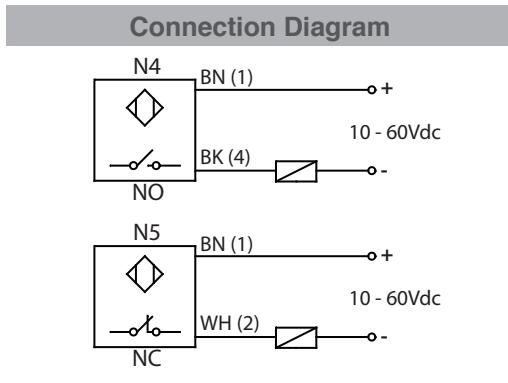
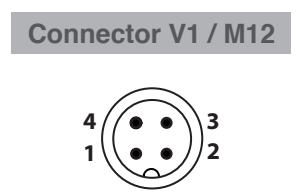


Common Technical Features

Hysteresis	5%
Repeatability	< 0,01 mm
Power supply	10 to 60 Vcc
Ripple	± 10%
Max. switching current	100 mA
Residual load current	< 2,5 mA
Minimum load current	5 mA
Output voltage drop	≤ 5 V
Output protection	short-circuit and reversal polarity
Operating temperature	- 25 °C to + 70 °C
Protection degree	IP66, IP67, IP68, IP69K
Cable options	check key code
Ex certificate - dust	Cepel 16.2415X
Marking	Ex tb IIIC T100 °C Db IP65

Housing

GI	Nickel plated brass
GX	Stainless steel
GT	PTFE plated brass
GP	Thermoplastic with fiberglass
50	50 mm tube (standard)
70	70 mm tube (optional)



Cable Colors

BN	- brown / positive
BK	- black / negative
WH	- white / negative

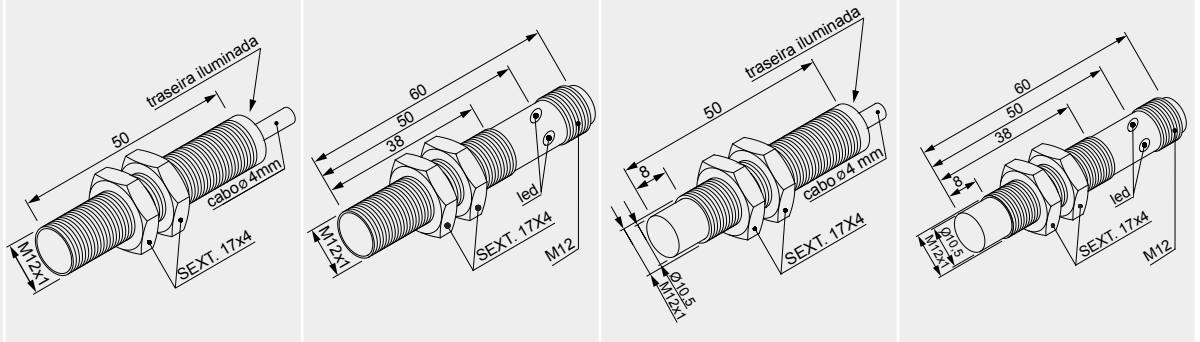
PS

- Alternate current
- NO or NC outputs
- Cable or connector
- 2 wires + GND



	PS2-12GI50-WA-Ex	PS2-12GI50-WA-V1-Ex	PS4-12GI50-WA-Ex	PS4-12GI50-WA-V1-Ex
NO	PS2-12GI50-WA-Ex	PS2-12GI50-WA-V1-Ex	PS4-12GI50-WA-Ex	PS4-12GI50-WA-V1-Ex
NC	PS2-12GI50-WF-Ex	PS2-12GI50-WF-V1-Ex	PS4-12GI50-WF-Ex	PS4-12GI50-WF-V1-Ex
Sensing distance	2 mm		4 mm	
Operating dist.	1,62 mm		3,24 mm	
Mounting	flush		non flush	
Standard target	12 x 12 mm			
Max. switching requency	10 Hz			
Output signaling	iluminated rear	4 microled in connector	iluminated rear	4 microled in connector
Connection	cable 2 m PVC 2 wires	connector 4 pins	cable 2 m PVC wires	connector 4 pins
Weight	110 g	25 g	110 g	25 g

Mechanical dimensions



Common Technical Features

Hysteresis	5%
Repeatability	< 0,01 mm
Power supply	20 to 250 Vca
Network frequency	50 or 60 Hz
Max. switching current	500 mA
Inrush current (t< 20ms/f< 1Hz)	1 A
Residual load current	< 3 mA
Mini. load current	5 mA
Output voltage drop	≤ 5 V
Operating temperature	- 25 °C to + 70 °C
Protection degree	IP66, IP67, IP68, IP69K
Cable options	check key code
Ex ertificate - dust	Cepel 16.2415X
Marking	Ex tb IIIC T100 °C Db IP65

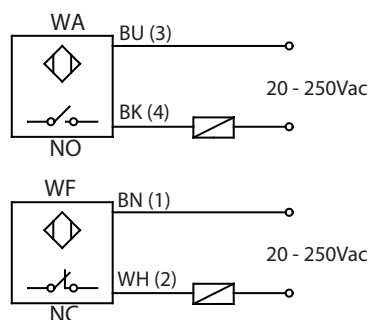
Housing

GI	Nickel plated brass
GX	Stainless steel
GT	PTFE plated brass
GP	Thermoplastic with fiberglass
50	50 mm tube (standard)
70	70 mm tube (optional)

Connector V1 / M12



Connection Diagram



Cable Colors

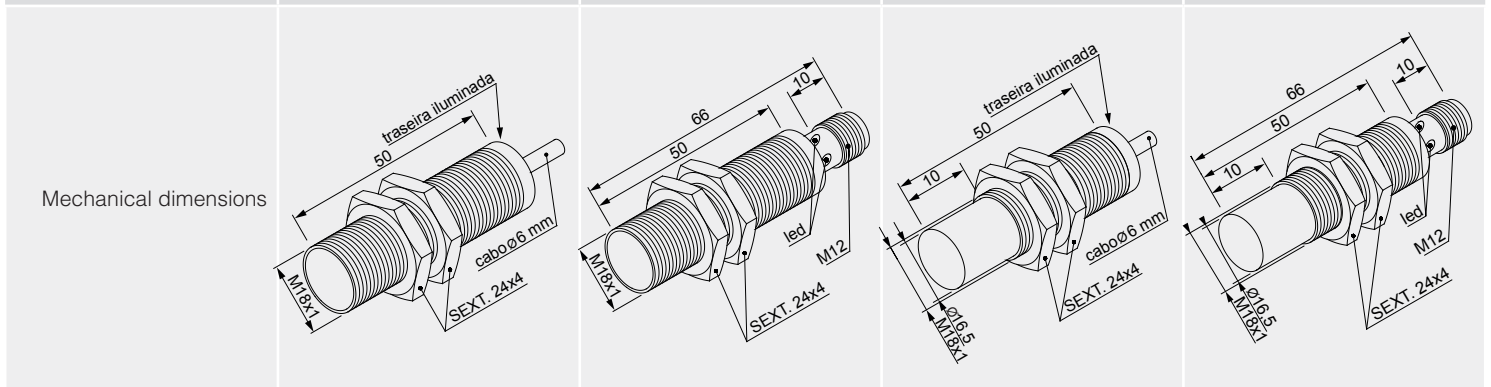
- BN - brown
- BU - blue
- BK - black
- WH - white

PS

- Direct current
- PNP / NPN
- NO output
- Cable or connector

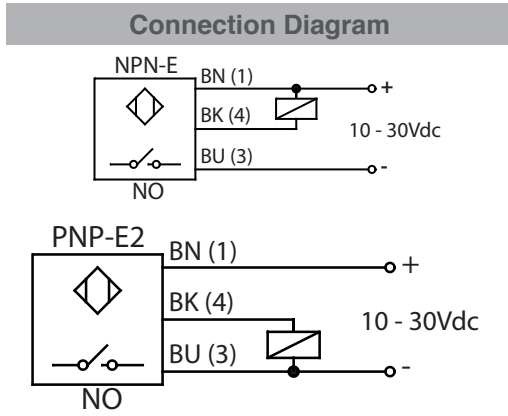
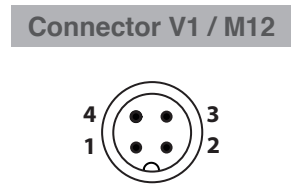


NO - NPN	PS5-18GI50-E-Ex	PS5-18GI50-E-V1-Ex	PS8-18GI50-E-Ex	PS8-18GI50-E-V1-Ex
NO - PNP	PS5-18GI50-E2-Ex	PS5-18GI50-E2-V1-Ex	PS8-18GI50-E2-Ex	PS8-18GI50-E2-V1-Ex
Sensing distance	5 mm		8 mm	
Operating dist.	4,05 mm		6,48 mm	
Mounting	flush		non flush	
Standard target	18 x 18 mm		24 x 24 mm	
Max. switching frequency	500 Hz		200 Hz	
Output signaling	iluminated rear	4 microled in connector	iluminated rear	4 microled in connector
Connection	cable 2 m PVC 3 wires	connector 4 pins	cable 2 m PVC 3 wires	connector 4 pins
Weight	150 g	55 g	150 g	55 g



Common Technical Features	
Hysteresis	5%
Repeatability	< 0,01 mm
Power supply	10 to 30 Vcc
Ripple	± 10%
Max. switching current	200 mA
Consumption current	≤ 10%
Output voltage drop	≤ 2 V
Output protection	short-circuit and reversal polarity
Operating temperature	- 25 °C to + 70 °C
Protection degree	IP66, IP67, IP68, IP69K
Cable options	check key code
Ex certificate - dust	Cepel 16.2415X
Marking	Ex tb IIIC T100 °C Db IP65

Housing	
GI	Nickel plated brass
GX	Stainless steel
GT	PTFE plated brass
GP	Thermoplastic with fiberglass
50	50 mm tube (standard)
70	70 mm tube (optional)



Cable Colors

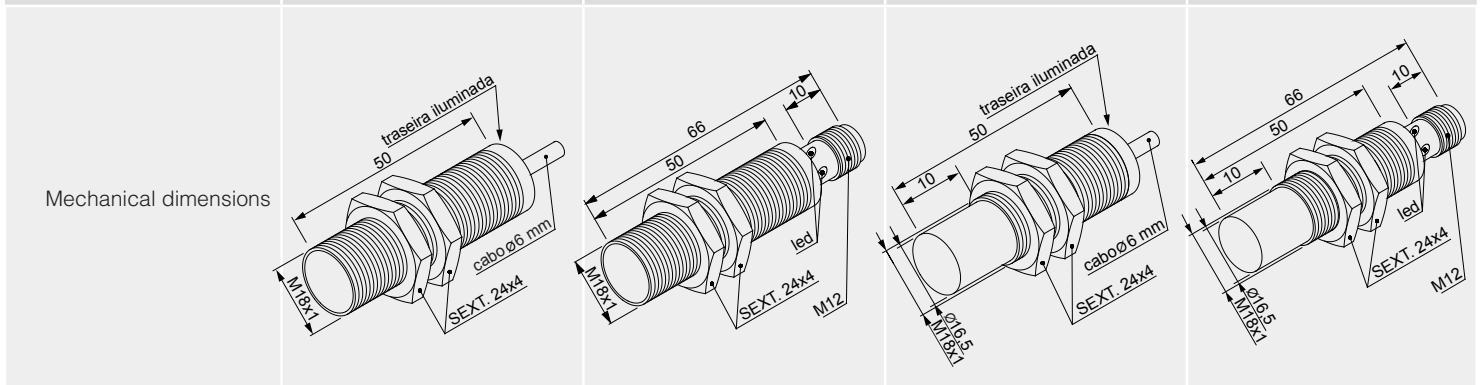
BN	brown / positive
BK	black / charge
BU	blue / negaive

PS

- Direct current
- PNP / NPN
- NO + NC outputs
- Cable or connector



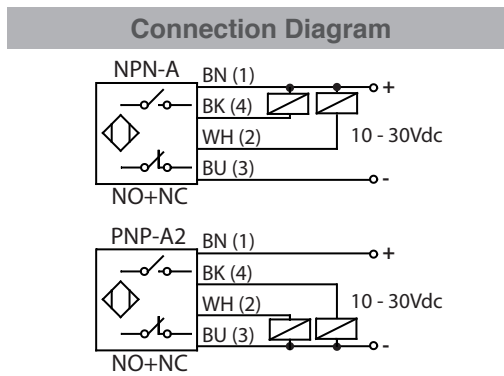
NO + NC - NPN	PS5-18GI50-A-Ex	PS5-18GI50-A-V1-Ex	PS8-18GI50-A-Ex	PS8-18GI50-A-V1-Ex
NO + NC - PNP	PS5-18GI50-A2-Ex	PS5-18GI50-A2-V1-Ex	PS8-18GI50-A2-Ex	PS8-18GI50-A2-V1-Ex
Sensing distance	5 mm		8 mm	
Operating dist.	4,05 mm		6,48 mm	
Mounting	flush		non flush	
Standard target	18 x 18 mm		24 x 24 mm	
Max. switching frequency	500 Hz		200 Hz	
Output signaling	iluminated rear	4 microled in connector	iluminated rear	4 microled in connector
Connection	cable 2 m PVC 4 wires	connector 4 pins	cable 2 m PVC 4 wires	connector 4 pins
Weight	150 g	55 g	150 g	55 g



Common Technical Features	
Hysteresis	5%
Repeatability	< 0,01 mm
Power supply	10 to 30 Vcc
Ripple	± 10%
Max. switching current	200 mA
Consumption current	≤ 10 mA
Output voltage drop	≤ 2 V
Output protection	short-circuit and reversal polarity
Operating temperature	- 25 °C to + 70 °C
Protection degree	IP66, IP67, IP68, IP69K
Cable options	check key code
Ex certificate - dust	Cepel 16.2415X
Marking	Ex tb IIIC T100 °C Db IP65

Housing	
GI	Nickel plated brass
GX	Stainless steel
GT	PTFE plated brass
GP	Thermoplastic with fiberglass

Connector V1 / M12



Cable Colors

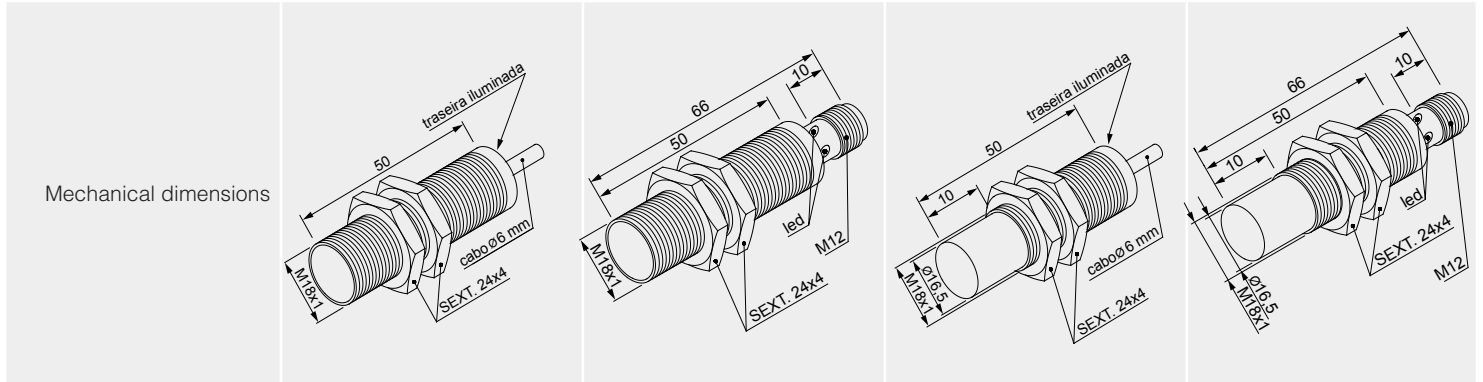
BN	- brown / positive
BK	- black / charge
BU	- blue / negative
WH	- white / charge

PS

- Direct current
- NO or NC output
- Cable or connector
- 10 to 60 Vdc power supply

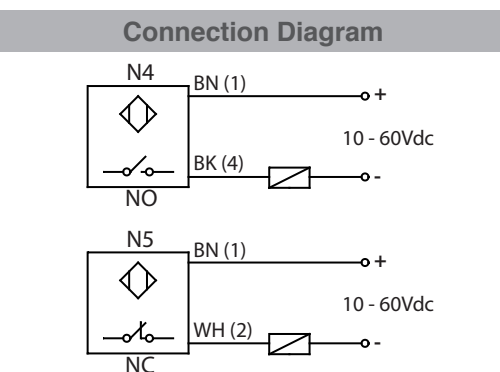
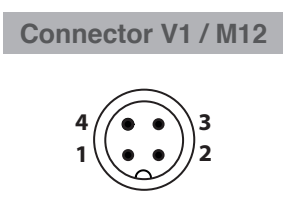


	PS5-18GI50-N4-Ex	PS5-18GI50-N4-V1-Ex	PS8-18GI50-N4-Ex	PS8-18GI50-N4-V1-Ex
	PS5-18GI50-N5-Ex	PS5-18GI50-N5-V1-Ex	PS8-18GI50-N5-Ex	PS8-18GI50-N5-V1-Ex
Sensing distance	5 mm		8 mm	
Operating dist.	4,05 mm		6,48 mm	
Mounting	flush		non flush	
Standard target	18 x 18 mm		24 x 24 mm	
Max. switching frequency	500 Hz		300 Hz	
Output signaling	iluminated rear	4 microled in connector	iluminated rear	4 microled in connector
Connection	cable 2 m PVC 2 wires 150 g	connector 4 pins	cable 2 m PVC 2 wires	connector 4 pins
Weight	150 g	55 g	150 g	55 g



Common Technical Features	
Hysteresis	5%
Repeatability	< 0,01 mm
Power supply	10 to 60 Vcc
Ripple	± 10%
Max. switching current	100 mA
Residual load current	< 2,5 mA
Mini. load current	5 mA
Output voltage drop	≤ 5 V
Output protection	short-circuit and reversal polarity
Operating temperature	- 25 °C to + 70 °C
Protection degree	IP66, IP67, IP68, IP69K
Cable options	check key code
Ex Certificate - dust	Cepel 16.2415X
Marking	Ex tb IIIC T100 °C Db IP65

Housing	
GI	Nicked plated brass
GX	Stainless steel
GT	PTFE plated brass
GP	Thermoplastic with fiberglass



Cable Colors

BN	- brown / positive
BK	- black / negative
WH	- white / negative

PS

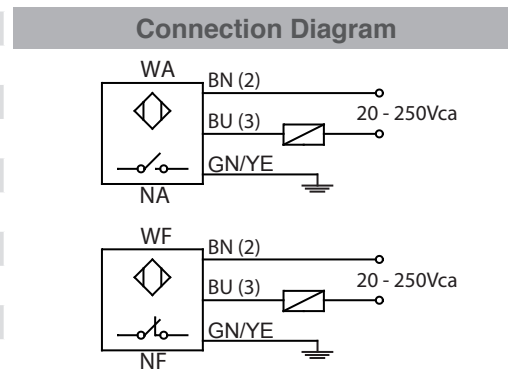
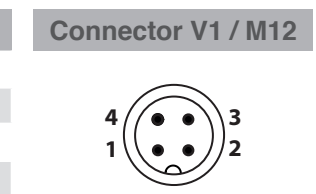
- Alternate current
- NO or NC output
- Cable or connector



	NO	PS5-18GI50-WA-Ex	PS5-18GI50-WA-V1-Ex	PS8-18GI50-WA-Ex	PS8-18GI50-WA-V1-Ex
	NC	PS5-18GI50-WF-Ex	PS5-18GI50-WF-V1-Ex	PS8-18GI50-WF-Ex	PS8-18GI50-WF-V1-Ex
Sensing distance		5 mm		8 mm	
Operating dist.		4,05 mm		6,48 mm	
Mounting		flush		non flush	
Standard target		18 x 18 mm		24 x 24 mm	
Max. switching frequency		10 Hz			
Output signaling		iluminated rear	4 microled in connector	iluminated rear	4 microled in connector
Connection		cable 2 m PVC 3 wires	connector 4 pins	cable 2 m PVC 3 wires	connector 4 pins
Weight		150 g	55 g	150 g	55 g
Mechanical dimensions					

Common Technical Features	
Hysteresis	5%
Repeatability	< 0,01 mm
Power supply	20 to 250 Vca
Network frequency	50 or 60 Hz
Max. switching current	500 mA
Inrush current (t< 20ms/f< 1Hz)	4 A
Residual load current	< 3 mA
Mini. load current	5 mA
Output voltage drop	≤ 5 V
Operating temperature	- 25 °C to + 70 °C
Protection degree	IP66, IP67, IP68, IP69K
Cable options	check key code
Ex certificate - dust	Cepel 16.2415X
Marking	Ex tb IIIC T100 °C Db IP65

Housing	
GI	Nickel plated brass
GX	Stainless steel
GT	PTFE plated brass
GP	Thermoplastic with fiberglass



Cable Colors

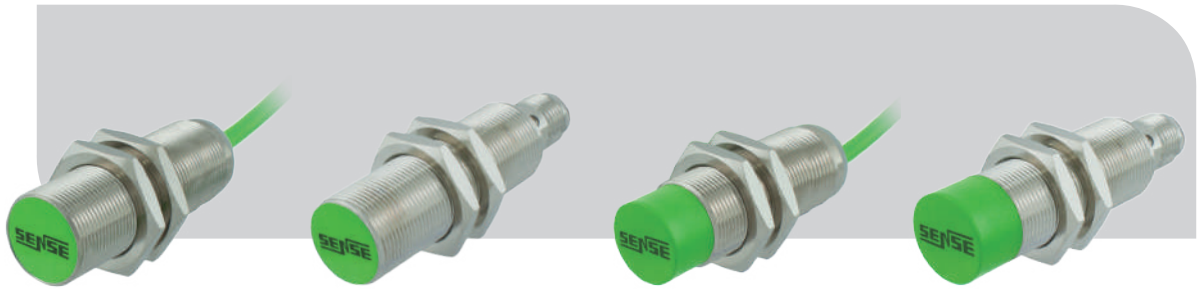
- BN - brown
- BU - blue
- GN/YE - grounding

Note: Connector version has no grounding

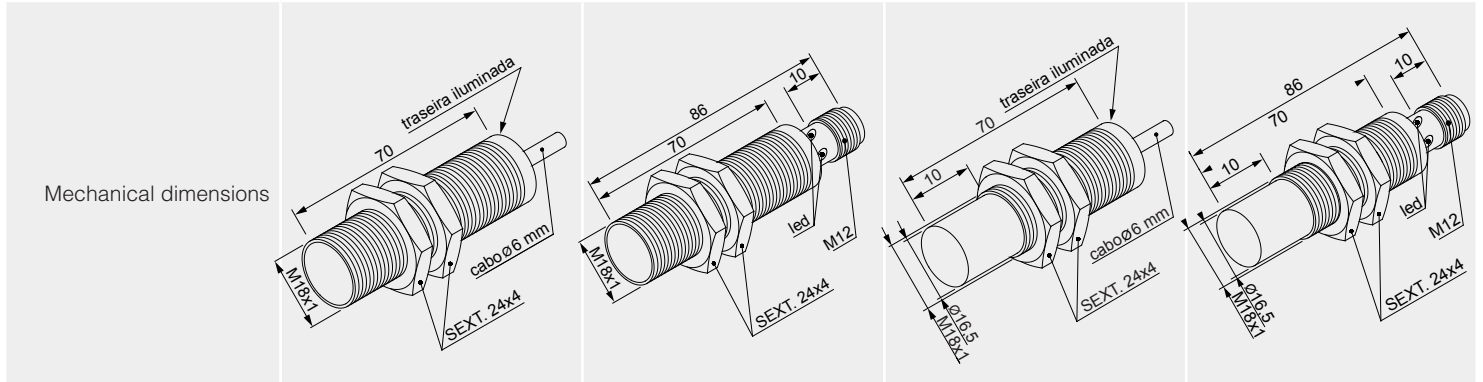
Note 1: Connector version has no grounding - **Note 2:** The GP models - Thermoplastics has no grounding

PS

- Direct and alternate current
- 2 wires + GND
- NO or NC output
- Cable or connector

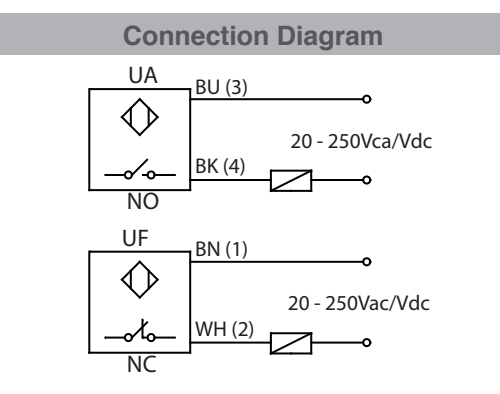
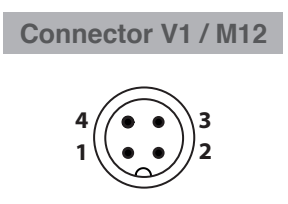


	PS5-18GI70-UA-Ex	PS5-18GI70-UA-V1-Ex	PS8-18GI70-UA-Ex	PS8-18GI70-UA-V1-Ex
	PS5-18GI70-UF-Ex	PS5-18GI70-UF-V1-Ex	PS8-18GI70-UF-Ex	PS8-18GI70-UF-V1-Ex
Sensing distance	5 mm		8 mm	
Operating dist.	4,05 mm		6,48 mm	
Mounting	flush		non flush	
Standard target	18 x 18 mm		24 x 24 mm	
Max. switching frequency	25 Hz			
Output signaling	iluminated rear	4 microled in connector	iluminated rear	4 microled in connector
Connection	cable 2 m PVC 2 wires	connector 4 pins	cable 2 m PVC 2 wires	connector 4 pins
Weight	150 g	55 g	150 g	55 g



Common Technical Features	
Hysteresis	5%
Repeatability	< 0,01 mm
Power supply	20 to 250 Vca or Vcc
Network frequency	50 or 60 Hz
Max. switching current	300 mA
Inrush current (t< 20ms/f< 1Hz)	4 A
Residual load current	< 3 mA
Mini. load current	5 mA
Output voltage drop	≤ 5 V
Operating temperature	- 25 °C to + 70 °C
Protection degree	IP66, IP67, IP68, IP69K
Cable options	check key code
Ex certificate - dust	Cepel 16.2415X
Marking	Ex tb IIIC T100 °C Db IP65

Housing	
GM	Nickel plated brass
GI	Nickel plated brass
GX	Stainless steel
GT	PTFE plated brass
70	70 mm tube (optional)



Cable Colors

BU	- blue
BK	- black
BN	- brown
WH	- white

PS

- Alternate current
- NO or NC output
- Cable



NO	PS5-18GI50-W3A-Ex	PS8-18GI50-W3A-Ex
NC	PS5-18GI50-W3F-Ex	PS8-18GI50-W3F-Ex
Sensing distance	5 mm	8 mm
Operating dist.	4,05 mm	6,48 mm
Mounting	flush	non flush
Standard target	18 x 18 mm	24 x 24 mm
Max. switching frequency	10 Hz	
Output signaling	iluminated rear	
Connection	cable 2 m PVC 3 wires	
Weight	150 g	

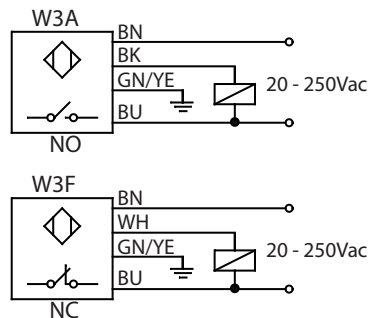
Mechanical dimensions	PS5-18GI50-W3A-Ex	PS8-18GI50-W3A-Ex

Common Technical Features	
Hysteresis	5%
Repeatability	< 0,01 mm
Power supply	90 to 250 Vca
Network frequency	50 or 60 Hz
Max. switching current	500 mA
Inrush current (t< 20ms/f< 1Hz)	4 A
Residual load current	< 3 mA
Mini. load current	5 mA
Output voltage drop	≤ 5 V
Operating temperature	- 25 °C to + 70 °C
Protection degree	IP66, IP67, IP68, IP69K
Cable options	check key code
Ex certificate - dust	Cepel 16.2415X
Marking	Ex tb IIIC T100 °C Db IP65

Housing	
GI	Nickel plated brass
GX	Stainless steel
GT	PTFE plated brass
GP	Thermoplastic with fiberglass

Cable Colors	
BN	brown
BU	blue
BK	black
WH	white
GN/YE	green/yellow

Connection Diagram

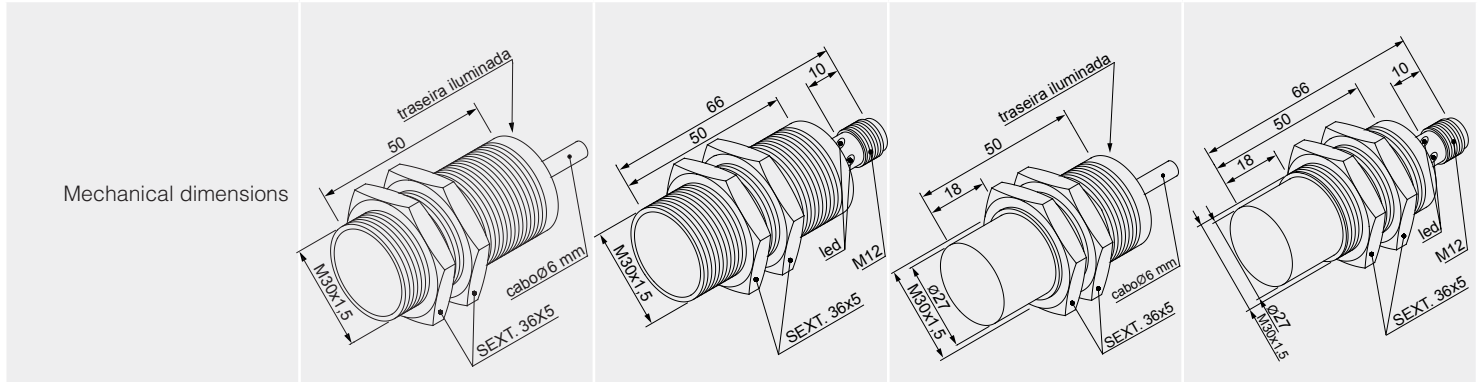


PS

- Direct current
- PNP / NPN
- NO output
- Cable or connector

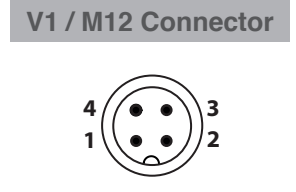


NO - NPN	PS10-30GI50-E-Ex	PS10-30GI50-E-V1-Ex	PS15-30GI50-E-Ex	PS15-30GI50-E-V1-Ex
NO - PNP	PS10-30GI50-E2-Ex	PS10-30GI50-E2-V1-Ex	PS15-30GI50-E2-Ex	PS15-30GI50-E2-V1-Ex
Sensing distance	10 mm		15 mm	
Operating dist.	8,1 mm		12,15 mm	
Mounting	flush		non flush	
Supply target	30 x 30 mm		45 x 45 mm	
Max. switching frequency	300 Hz		100 Hz	
Output signaling	iluminated rear	4 microled in connector	iluminated rear	4 microled in connector
Connection	connector 4 pins		cable 2 m PVC 3 wires	connector 4 pins
Weight	205 g	125 g	205 g	125 g

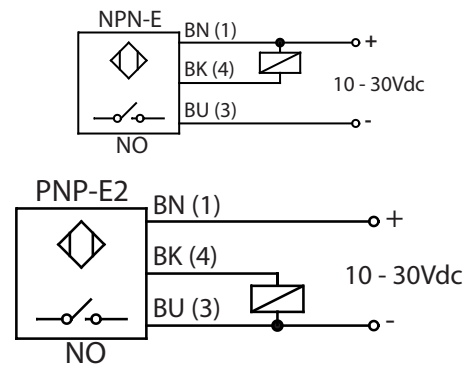


Common Technical Features	
Hysteresis	5%
Repeatability	< 0,01 mm
Power supply	10 to 30 Vcc
Ripple	± 10 %
Max. switching current	200 mA
Consumption current	≤ 10 mA
Output voltage drop	≤ 2 V
Output protection	short-circuit and reversal polarity
Operating temperature	- 25 °C to + 70 °C
Protection degree	IP66, IP67, IP68, IP69K
Cable options	check key code
Ex certificate - dust	Cepel 16.2415X
Marking	Ex tb IIIC T100 °C Db IP65

Housing	
GI	Nickel plated brass
GX	Stainless steel
GT	PTFE plated brass
GP	Thermoplastic with fiberglass



Connection Diagram



Cable Colors

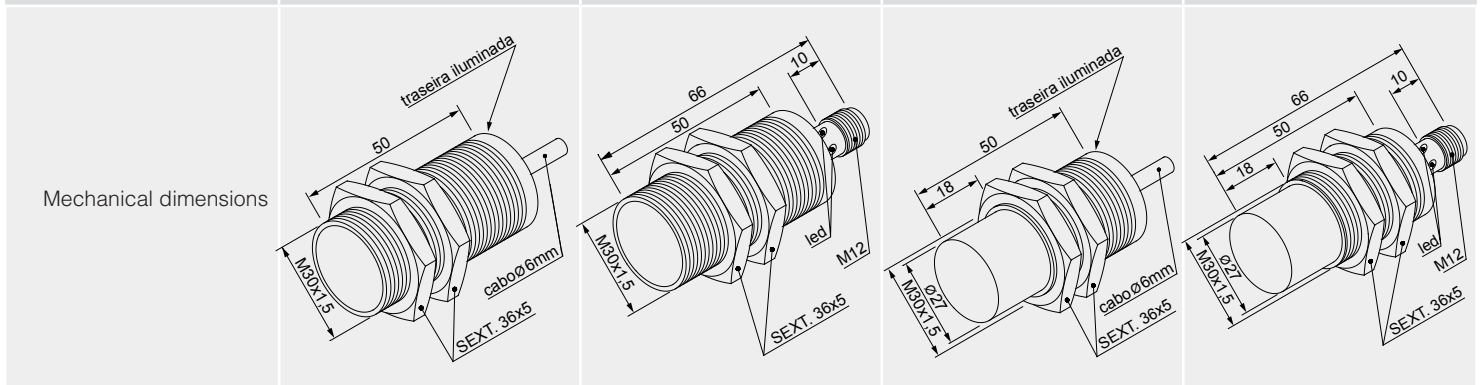
BN	- brown / positive
BK	- black / charge
BU	- blue / negative

PS

- Direct current
- NO or NC output
- Cable or connector
- 10 to 60 Vdc power supply

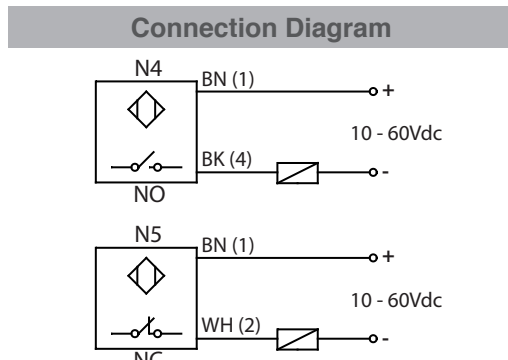
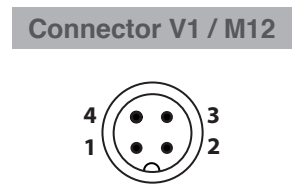


	PS10-30GI50-N4-Ex	PS10-30GI50-N4-V1-Ex	PS15-30GI50-N4-Ex	PS15-30GI50-N4-V1-Ex
NO				
NC				
Sensing distance	10 mm		15 mm	
Operating dist.	8,1 mm		12,15 mm	
Mounting	flush		non flush	
Standard target	30 x 30 mm		45 x 45 mm	
Max. switching frequency	500 Hz		300 Hz	
Output signaling	iluminated rear	4 microled in connector	iluminated rear	4 microled in connector
Connection	cable 2 m PVC 2 wires	connector 4 pins	cable 2 m PVC 2 wires	connector 4 pins
Weight	205 g	125 g	205 g	125 g



Common Technical Features	
Hysteresis	5%
Repeatability	< 0,01 mm
Power supply	10 to 60 Vcc
Ripple	± 10%
Max. switching current	100 mA
Residual load current	< 2,5 mA
Mini. load current	5 mA
Output voltage drop	≤ 5 V
Output protection	short-circuit and reversal polarity
Operating temperature	- 25 °C to + 70 °C
Protection degree	IP66, IP67, IP68, IP69K
Cable options	check code key
Ex certificate - dust	Cepel 16.2415X
Marking	Ex tb IIIC T100 °C Db IP65

Housing	
GI	Nickel plated brass
GX	Stainless steel
GT	PTFE plated brass
GP	Thermoplastic with fiberglass



Cable Colors

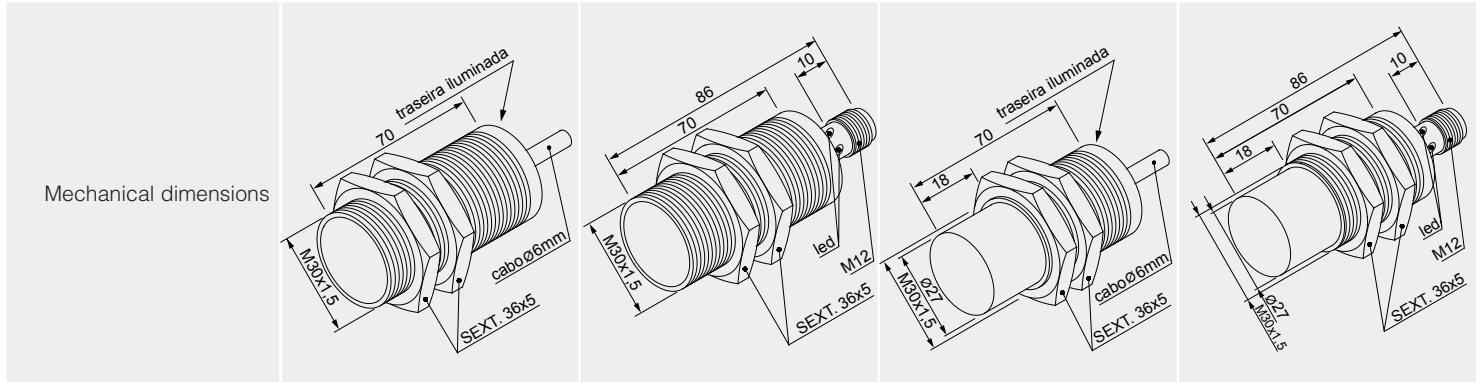
BN	- brown / positive
BK	- black / negative
WH	- white / negative

PS

- Direct and alternate current
- 2 wires + GND
- NO or NC output
- Cable or connector

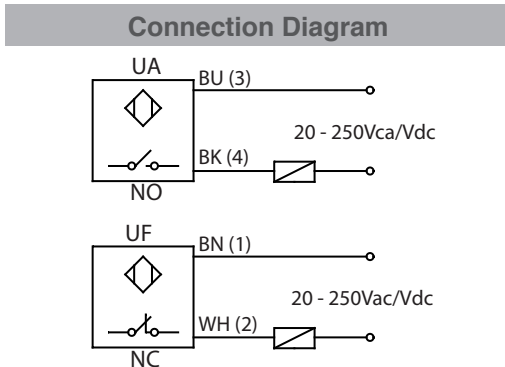
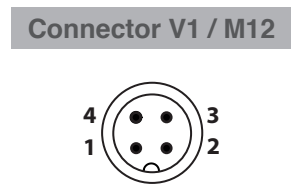


	PS10-30GI70-UA-Ex	PS10-30GI70-UA-V1-Ex	PS15-30GI70-UA-Ex	PS15-30GI70-UA-V1-Ex
	PS10-30GI70-UF-Ex	PS10-30GI70-UF-V1-Ex	PS15-30GI70-UF-Ex	PS15-30GI70-UF-V1-Ex
Sensing distance	10 mm		15 mm	
Operating dist.	8,1 mm		12,15 mm	
Mounting	flush		non flush	
Standard target	30 x 30 mm		45 x 45 mm	
Max. switching frequency	25 Hz			
Output signaling	iluminated rear	4 microled in connector	iluminated rear	4 microled in connector
Connection	cable 2 m PVC 2 wires	connector 4 pins	cable 2 m PVC 2 wires	connector 4 pins
Weight	205 g	125 g	205 g	125 g



Common Technical Features	
Hysteresis	5%
Repeatability	< 0,01 mm
Power supply	20 to 250 Vca or Vcc
Network frequency	50 or 60 Hz
Max. switching current	300 mA
Inrush current (t< 20ms/t< 1Hz)	4 A
Residual load current	< 3 mA
Mini. load current	5 mA
Output voltage drop	≤ 5 V
Operating temperature	- 25 °C to + 70 °C
Protection degree	IP66, IP67, IP68, IP69K
Cable options	check key code
Ex certificate - dust	Cepel 16.2415X
Marking	Ex tb IIIC T100 °C Db IP65

Housing	
GM	Nickel plated brass
GI	Nickel plated brass
GX	Stainless steel
GT	PTFE plated brass



Cable Colors

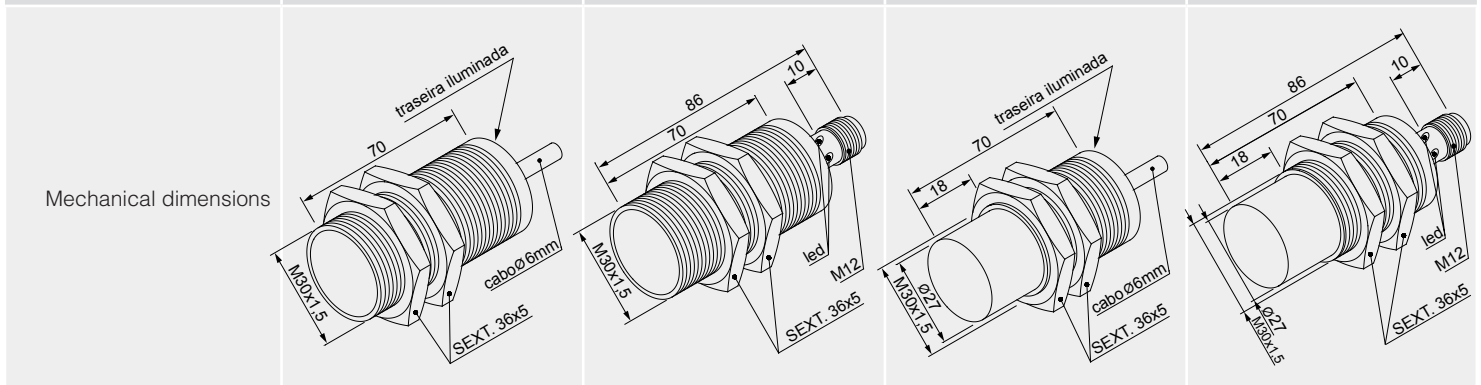
BU	- blue
BK	- black
BN	- brown
WH	- white

PS

- Direct and alternate current
- 2 wires + GND
- NO or NC output
- Cable or connector

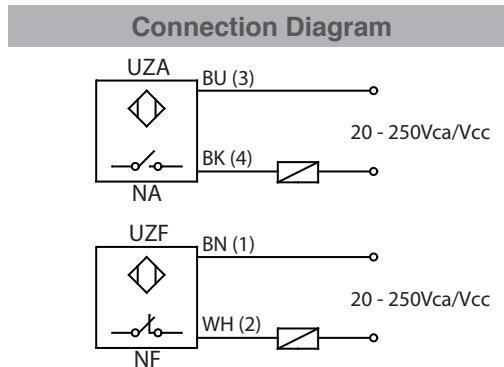
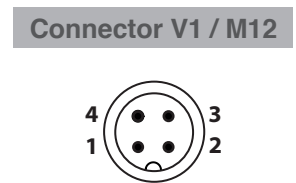


	NO	PS10-30GI70-UZA-Ex	PS10-30GM70-UZA-V1-Ex	PS15-30GI70-UZA-Ex	PS15-30GM70-UZA-V1-Ex
	NC	PS10-30GI70-UZF-Ex	PS10-30GM70-UZF-V1-Ex	PS15-30GI70-UZF-Ex	PS15-30GM70-UZF-V1-Ex
Sensing distance		10 mm		15 mm	
Operating dist.		8,1 mm		12,15 mm	
Mounting		flush		non flush	
Standard target		30 x 30 mm		45 x 45 mm	
Max. switching frequency		25 Hz			
Output signaling		iluminated rear	4 microled in connector	iluminated rear	4 microled in connector
Weight		205 g	125 g	205 g	125 g
Connection		cable 2 m PVC 2 wires	connector 4 pins	cable 2 m PVC 2 wires	connector 4 pins



Common Technical Features	
Hysteresis	5%
Repeatability	< 0,01 mm
Power supply	20 to 250 Vca or Vcc
Network Ffrequency	50 or 60 Hz
Max. switching current	300 mA
Inrush current (t< 20ms/f< 1Hz)	4 A
Residual load current	< 3 mA
Mini. load current	5 mA
Output voltage drop	≤ 5 V
Output protection	short-circuit and reversal polarity
Operating temperature	- 25 °C to + 70 °C
Protection degree	IP66, IP67, IP68, IP69K
Cable options	check key code
Ex certificate - dust	Cepel 16.2415X
Mounting	Ex tb IIIC T100 °C Db IP65

Housing	
GI	Nickel plated brass
GX	Stainless steel
GT	PTFE plated brass



Cable Colors

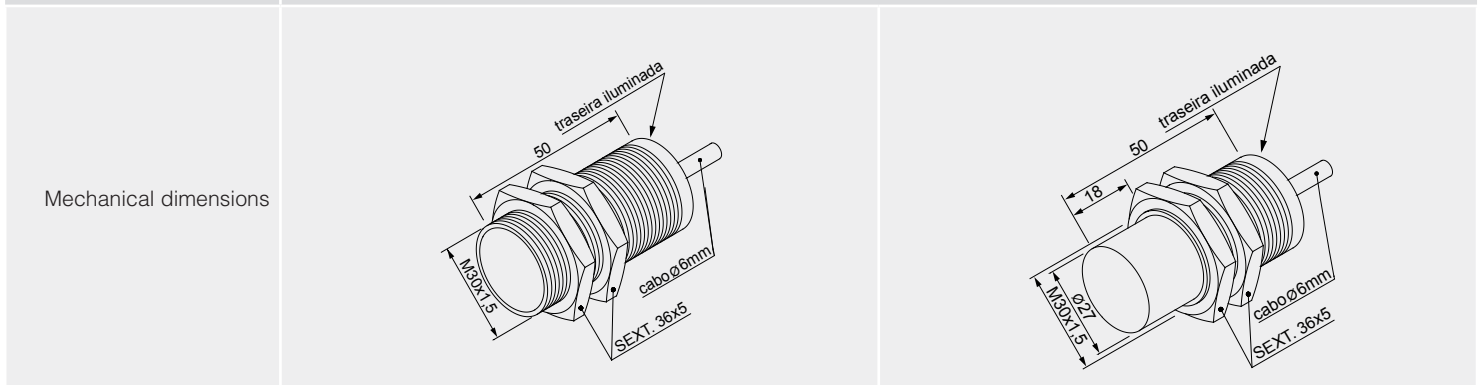
BU	- blue
BK	- black
BN	- brown
WH	- white

PS

- Alternate current
- NO or NC output
- Cable



NO	PS10-30GI50-W3A-Ex	PS15-30GI50-W3A-Ex
NC	PS10-30GI50-W3F-Ex	PS15-30GI50-W3F-Ex
Sensing distance	10 mm	15 mm
Operating dist.	8,1 mm	12,15 mm
Mounting	flush	non flush
Standard target	30 x 30 mm	45 x 45 mm
Max. switching frequency	10 Hz	
Output signaling	iluminated rear	
Connection	cable 2 m PVC 3 wires	
Weight	205 g	



Common Technical Features	
Hysteresis	5%
Repeatability	< 0,01 mm
Power supply	90 to 250 Vca
Network frequency	50 or 60 Hz
Max. switching current	500 mA
Inrush current (t< 20ms/f< 1Hz)	4 A
Output voltage drop	≤ 2 V
Operating temperature	- 25 °C to + 70 °C
Protection degree	IP66, IP67, IP68, IP69K
Cable options	check code key
Ex certificate - dust	Cepel 16.2415X
Mounting	Ex tb IIIC T100 °C Db IP65

Housing	
GI	Nickel plated brass
GX	Stainless steel
GT	PTFE plated brass
GP	Thermoplastic with fiberglass

Cable Colors	
BN	- brown
BU	- blue
BK	- black
WH	- white
GN/YE	- green/yellow

Connection Diagram

